

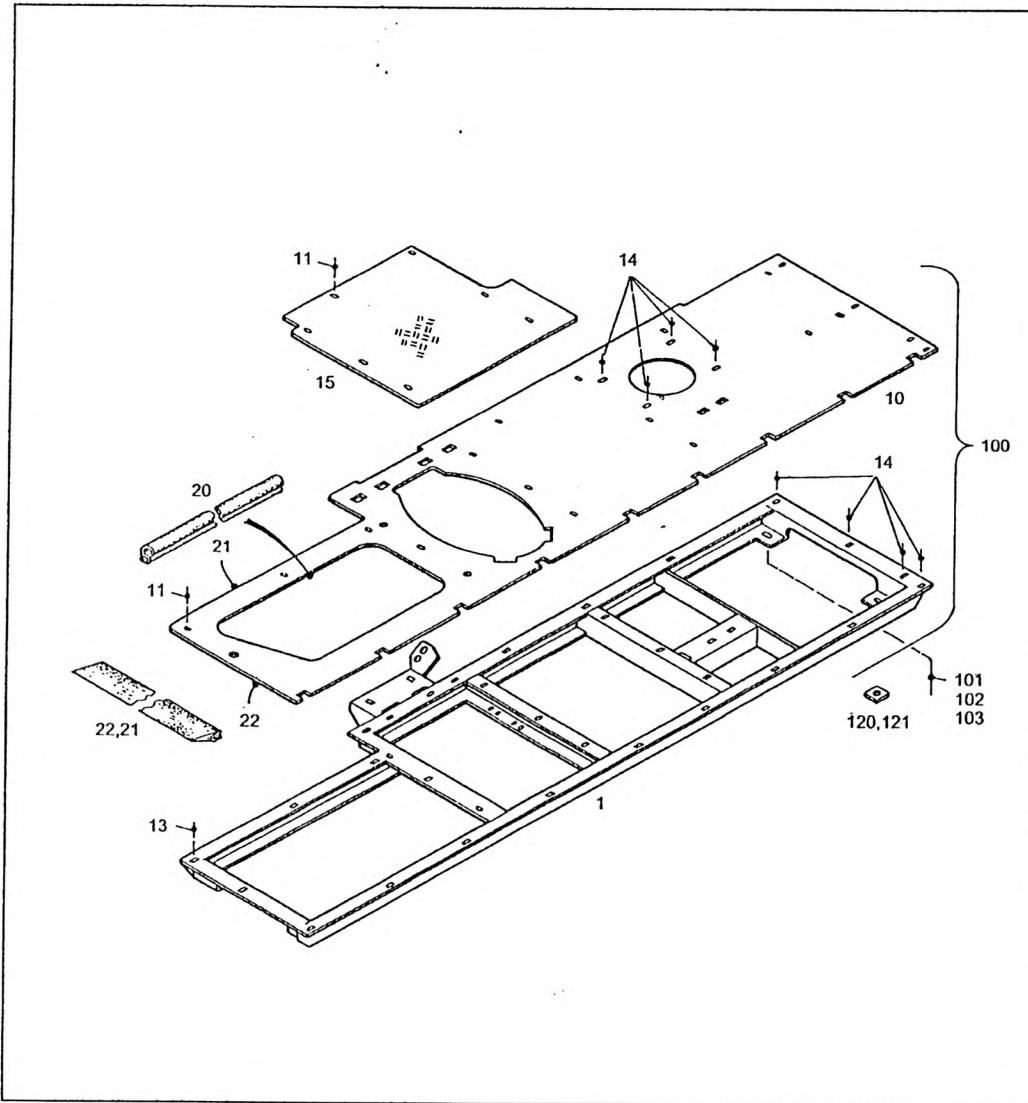
ANGLE FRAMEWORK INSTALLATION
WINKELGERUEST-EINBAU
OSSATURE ANGUL ASS

997-077-65842

Figure
Bild
Figure

7765842

2100-01



| Item Pos. Réf | Part No. Teil-Nr. Pièce No | Designation Benennung Désignation | all alle tous | Qty/assy Stck/Variante Pièce/ensemble | | | | | | | | Figure Bild Figure |
|---------------------|----------------------------------|---|---------------------|--|---|---|---|---|---|---|---|--------------------------|
| | | | | A | B | C | D | E | F | G | H | |
| 1 | 997-077-65838 | SECTIONAL FRAME PROFILRAHMEN CADRE PROFILE | 1 | | | | | | | | | |
| 10 | 997-077-65840 | FOOTSTEP PLATE AUFTRITTBLECH TOLE DE MARCHEPIED | 1 | | | | | | | | | |
| 11 | 997-070-07073 | HEX BOLT M8x25 6KT-SCHRAUBE VIS HEXAGONALE | 14 | | | | | | | | | |
| 13 | 997-070-06610 | CAGE NUT M8 KAFIGMUTTER ECROU EN CAGE | 44 | | | | | | | | | |
| 14 | 997-077-51267 | CAGE NUT M8 KAFIGMUTTER ECROU EN CAGE | 8 | | | | | | | | | |
| 15 | 997-077-67351 | FOOTSTEP PLATE AUFTRITTBLECH TOLE DE MARCHEPIED | 1 | | | | | | | | | |
| 20 | 997-006-25547 | PROFILED JOINT B19 1,0-4,0 DICHTPROFIL D'ETANCHEITE PROFILE | 2M | | | | | | | | | |
| 21 | 997-041-51782 | SEALING LIP PROFILE DICHTLIPPENPROFIL PROFIL LEVRE DE JOINT | 0,9M | | | | | | | | | |
| 22 | 997-041-51782 | SEALING LIP PROFILE DICHTLIPPENPROFIL PROFIL LEVRE DE JOINT | 0,2M | | | | | | | | | |
| 100 | 997-077-65843 | ANGLE FRAMEWORK ASSY WINKELGERUEST-KPL OSSATURE ANGULAIRE | 1 | | | | | | | | | |
| 101 | 997-000-56672 | HEX BOLT M12X40 6KT-SCHRAUBE VIS HEXAGONALE | 4 | | | | | | | | | |
| 102 | 997-084-08999 | DISK 13,0 SCHEIBE DISQUE | 8 | | | | | | | | | |
| 103 | 997-084-75942 | LOCK NUT M12 SICHERUNGSMUTTER ECROU DE SURETE | 4 | | | | | | | | | |
| 120 | 997-077-43331 | PLATE PLATTE PLAQUE | NB | | | | | | | | | |
| 121 | 997-077-43332 | PLATE PLATTE PLAQUE | NB | | | | | | | | | |